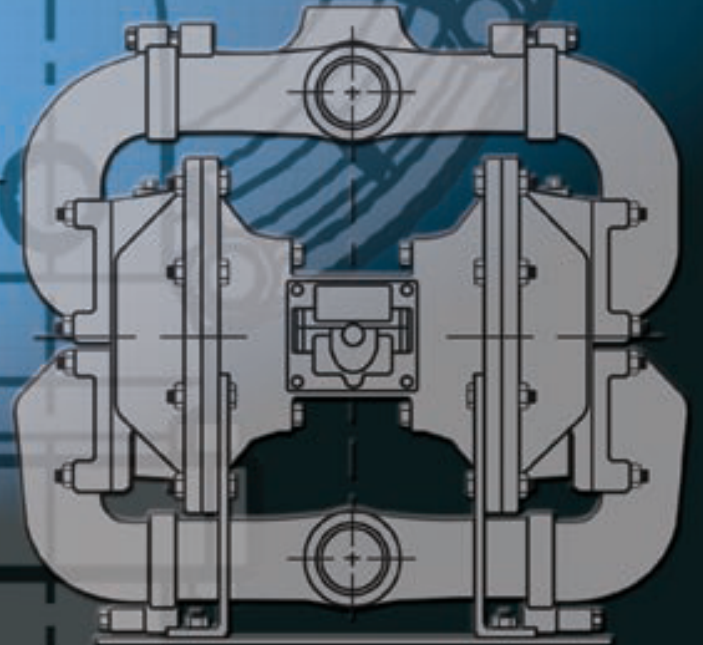
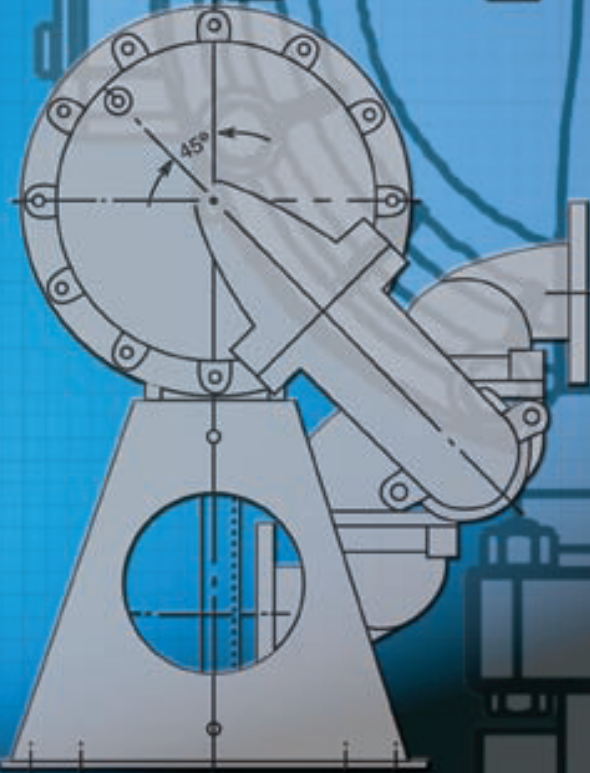
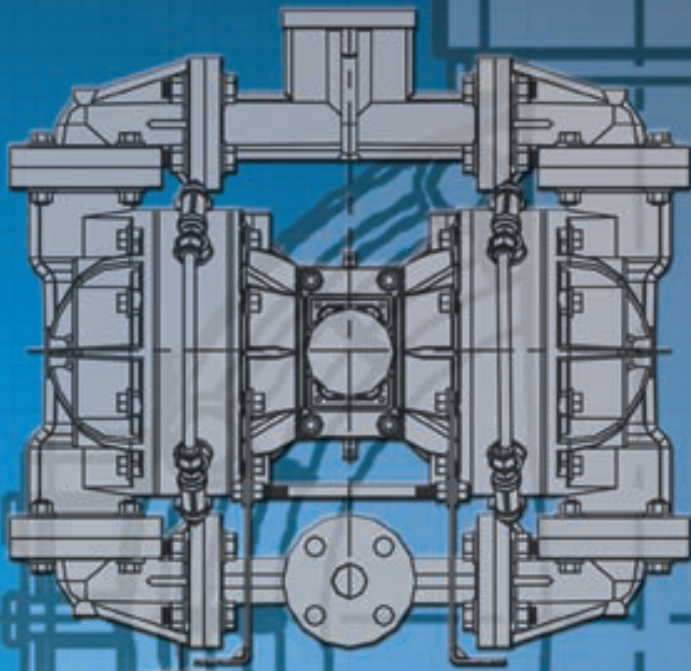


Discover

SANDPIPER[®] Pumping Solutions

A WARREN RUPP PUMP BRAND

with more ways than one



100 PSI

STANDARD DUTY BALL



**180° Manifold
Connection Rotation**

**All Bolted
Construction**

**ESADS + Plus®
(Externally Serviceable
Air Distribution System)
Lube Free**

**90°-180°
Manifold
Connection
Rotation**

**All Bolted
Construction**

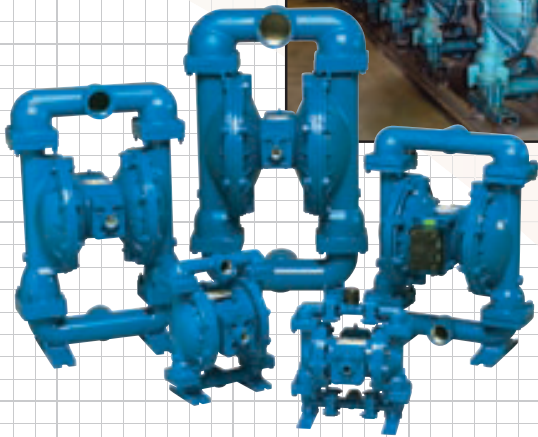
**Durable Diaphragm
Connecting Rod**

Warren Rupp Signature Features - in BLUE

100
VARIABLE FL

CONFIGURATION FEATURES

Metallic



Non-Metallic

STANDARD DUTY BALL

ESADS + Plus® All Bolted Construction

Top Discharge Ball Check Valves

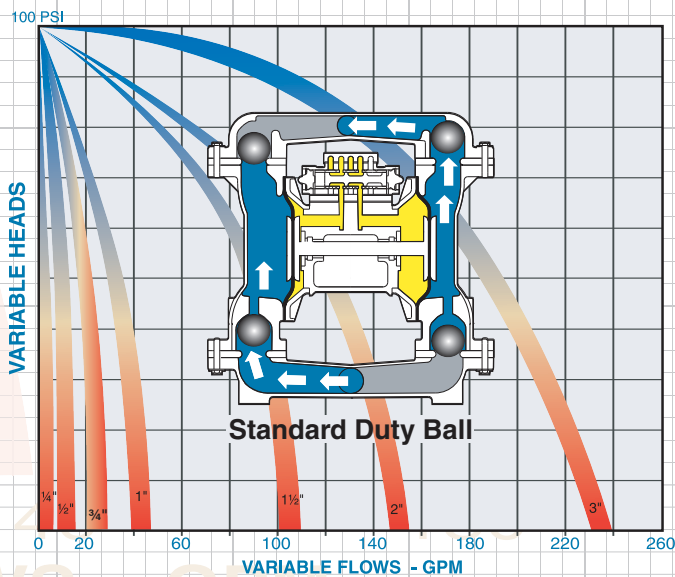
Durable Diaphragm Connecting Rod

Light Weight - Portable

90° - 180° Manifold Connection Rotation

Solids Range + 1/8" (2mm) to 1/2" (12.7mm)

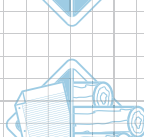
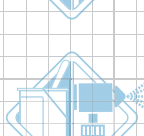
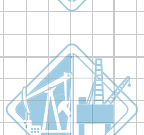
Dry Primes up to 20 Feet of Water



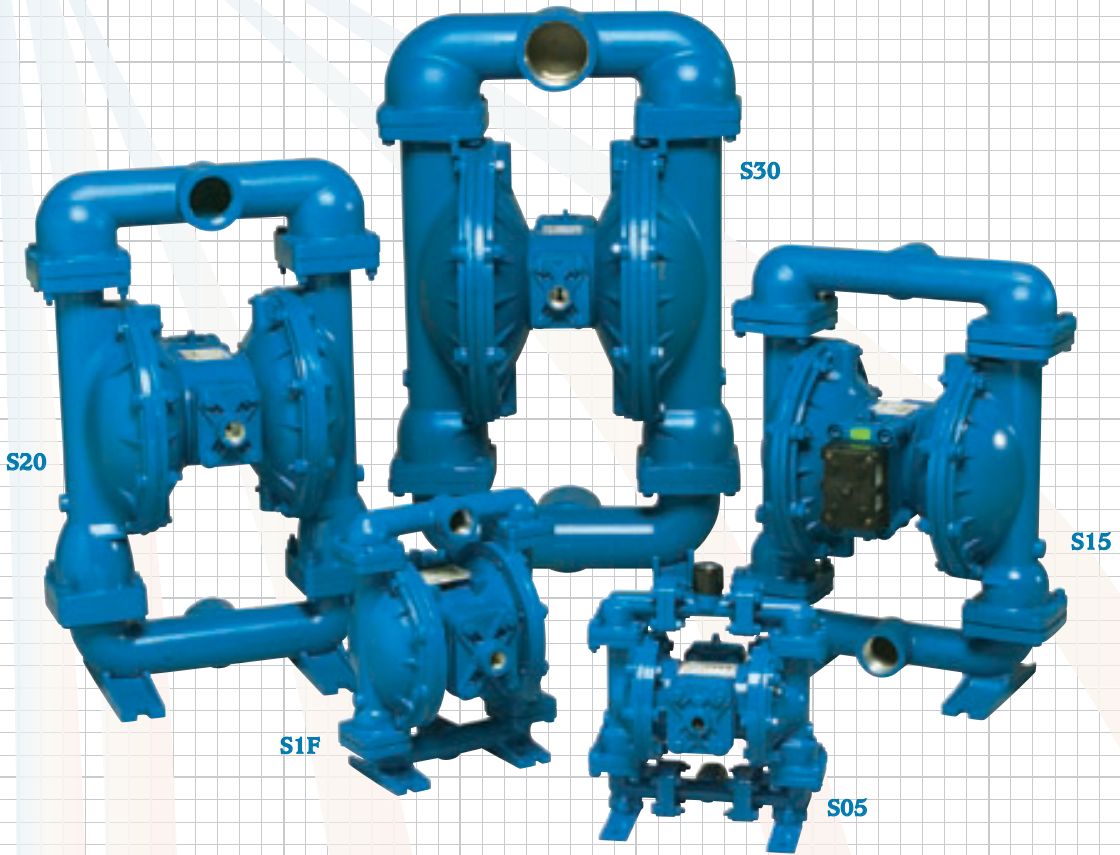
		Standard Duty Top Discharge	
		Metallic	Non-Metallic
Fluid Characteristics	Water (base reference)	A	A
	Suspended Solids	A	B
	Non-Suspended Solids	C	X
	Line Size Solids	X	X
	Sludge / Slurry	B	C
	High Viscosity (Flowable Fluids)	B	B
	Erosion / Abrasive Fluids	High Moderate Low	B B A
Corrosion		B	A
Installation	Permanent	B	B
	Portable	A	A
	Containment / Prevention	C	C
	Flooded Suction	B	B
	Suction Lift	B	B
Duty	Submerged	B	C
	Intermittent / On-Demand	A	A
		B	B
		A = Best Type B = Suitable C = Caution (Limitations) X = Unsuitable	

100 PSI

STANDARD DUTY BALL - Metallic



VARIABLE HEADS



Standard Duty Metallic Pumps are ideally suited for intermittent/on-demand, portable moderately abrasive fluids and suspended solids. Standard duty metallic pumps are constructed in Aluminum, Cast Iron, Stainless Steel and Alloy C with elastomer TPE (thermal plastic elastomers) and PTFE options in diaphragms and check valves.

Metallic standard duty pumps handling suspended solids in an industrial waste treatment operation.

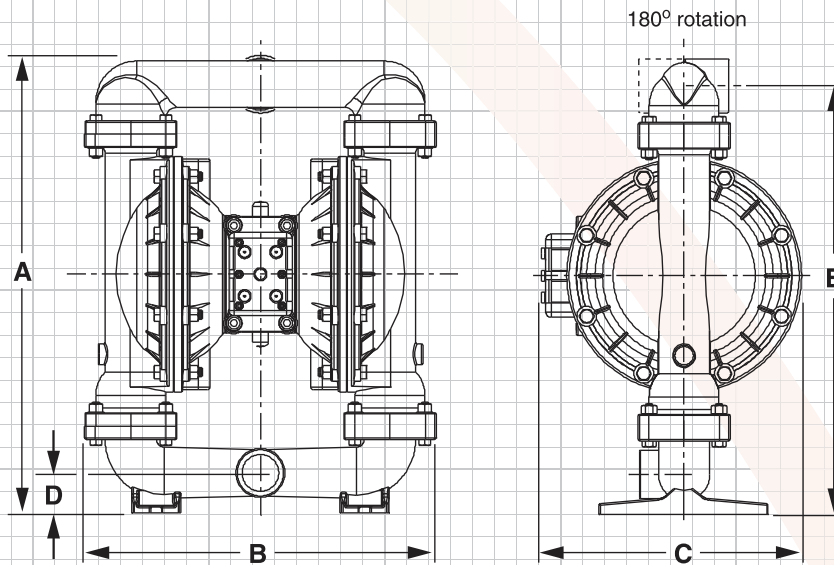


VARIABLE FL

With more ways than one!

Dimensional Detail

Metallic standard duty pumps installed for exterior sump pumping requirements.



PUMP MODELS	A	B	C	D		E	Connection Style	Pipe Size	Displacement Per Stroke	Max Flow Per Minute	Max Solids Handling	Max Discharge Pressure
	Height	Width	Depth	Bottom of Base to Center Line of:								
	inches (mm)	inches (mm)	inches (mm)	Suction	Discharge							
E02	5 13/16 (148)	7 7/16 (189)	4 3/8 (111)	5/8 (16)	5 13/32 (138)	1/4" NPT	.25	(6)	.003 (.01)	4.4 (16.6)	.079 (2)	125 (8.6)
S05 AL	11 1/2 (292)	10 1/4 (260)	7 1/16 (179)	1 5/16 (33)	11 1/2 (292)	1" MNPT		.5 (12)	.026 (.098)	15 (57)	.25 (3)	125 (8.6)
S05 SS	10 3/8 (264)	10 1/4 (260)	7 1/16 (179)	1 5/16 (33)	9 23/32 (247)	1"	MNPT	.5 (12)	.026 (.098)	5 (57)	.125 (3)	125 (8.6)
S1F AL / CI	12 23/32 (323)	10 1/4 (260)	10 3/8 (264)	1 3/32 (28)	11 27/32 (301)		1" NPT	1 (25)	.11 (.42)	5 (170)	.25 (6)	125 (8.6)
S1F SS	12 27/32 (326)	10 1/4 (260)	10 3/8 (264)	1 7/32 (31)	11 31/32 (304)		" NPT	1 (25)	.11 (.42)	5 (170)	.25 (6)	125 (8.6)
S15 AL / CI	21 37/64 (548)	16 21/32 (423)	12 23/64 (314)	1 29/32 (49)	20 5/16	(516)	1 1/2" NPT	1.5 (40)	.41 (1.55)	106 (401)	.25 (6)	125 (8.6)
S15 SS	21 21/32 (550)	16 21/32 (423)	12 23/64 (314)	1 31/32 (50)	20 3/8 (5	18)	1 1/2" NPT	1.5 (40)	.41 (1.55)	106 (401)	.25 (6)	125 (8.6)
S20 AL / CI	26 5/16 (669)	16 7/8 (428)	12 19/32 (320)	1 7/8 (48)	24 5/8 (625)		2" NPT	2 (50)	.42 (1.59)	150 (567)	.25 (6)	125 (8.6)
S20 SS	26 5/16 (669)	16 7/8 (428)	12 19/32 (320)	2 (51)	24 3/4 (629)		2" NPT	2 (50)	.42 (1.59)	150 (567)	.25 (6)	125 (8.6)
S30 AL/CI	32 1/16 (814)	18 21/32 (499)	15 3/4 (400)	2 11/32 (60)	29 31/32 (76	1)	3" NPT	3 (80)	.94 (3.56)	235 (889)	.38 (9.5)	125 (8.6)
S30 SS	32 9/32 (820)	18 21/32 (499)	15 3/4 (400)	2 9/32 (65)	30 3/16 (767)		3" NPT	3 (80)	.94 (3.56)	235 (889)	.38 (9.5)	125 (8.6)

All Dimensions +/- 1/8 (3)