

**WARREN
RUPP®**

Quality System
ISO9001 Certified

Environmental
Management System
ISO14001 Certified

IDEX
IDEX CORPORATION

U.S. Patent #5,996,627 & 6,241,487
Other U.S. Patents Applied for



SandPIPER II®

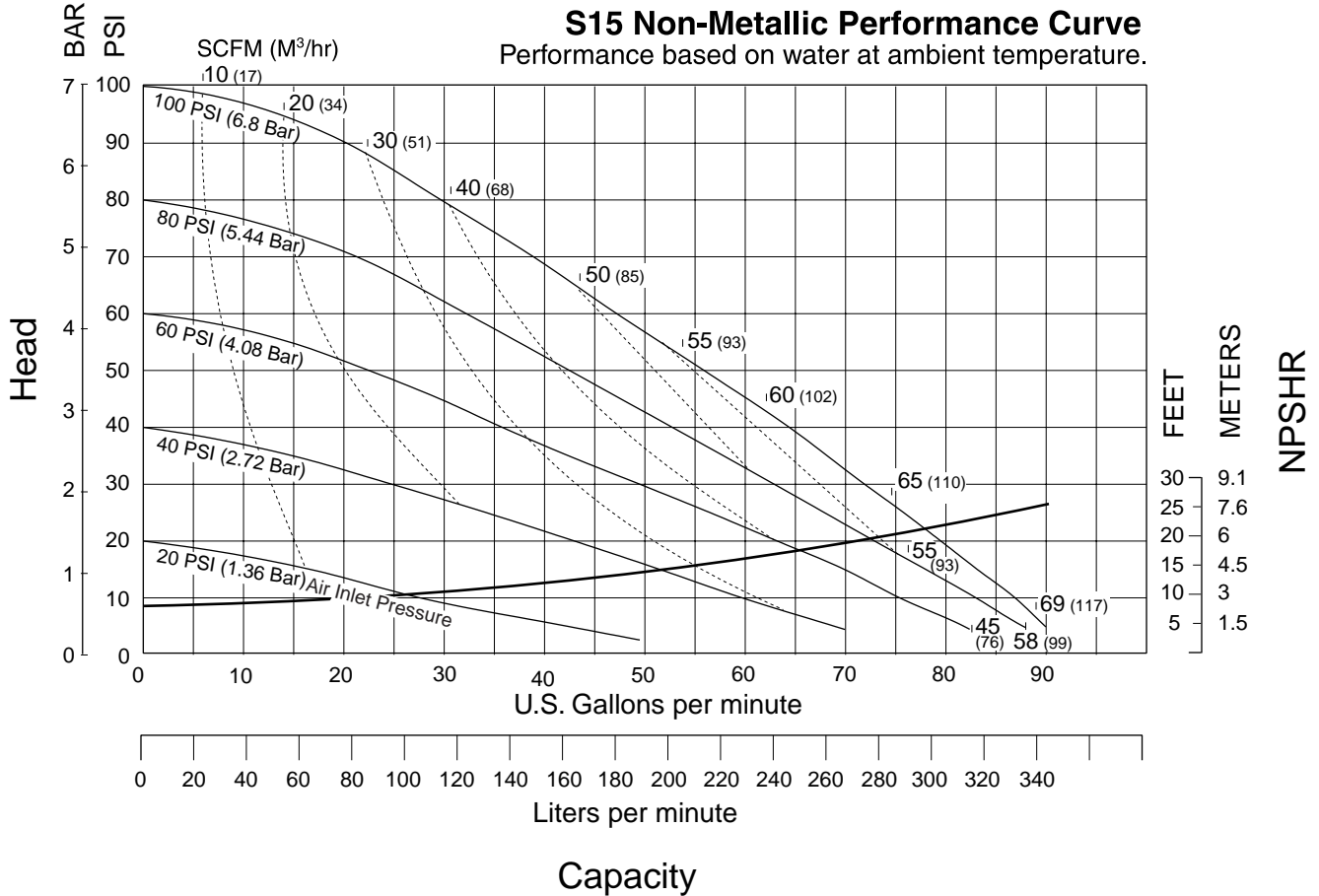
S15 Non-Metallic Design Level 2 Ball Valve

**Air-Powered
Double-Diaphragm Pump**

ENGINEERING, PERFORMANCE
& CONSTRUCTION DATA



INTAKE/DISCHARGE PIPE SIZE	CAPACITY	AIR VALVE	SOLIDS-HANDLING	HEADS UP TO	DISPLACEMENT/STROKE
1½" ANSI Flange or PN10 40mm DIN Flange	0 to 90 gallons per minute (0 to 340 liters per minute)	No-lube, no-stall design	Up to .47 in. (12mm)	100 psi or 231 ft. of water (7 bar or 70 meters)	.36 Gallon / 1.36 liter



SandPIPER II® pumps are designed to be powered only by compressed air.

Explanation of Pump Nomenclature

S15 Non-Metallic - Design Level 2- Ball Valve

MODEL	Pump Brand	Pump Size	Check Valve Type	Design Level	Wetted Material	Diaphragm/Check Valve Materials	Check Valve Seat	Non-Wetted Material Options	Porting Options	Pump Style	Pump Options	Shipping Kit Options	Weight lbs. (kg)
S15B2P1PQAS000.	S	15	B	2	P	1	P	Q	A	S	0	00.	53 (24)
S15B2K1KQAS000.	S	15	B	2	K	1	K	Q	A	S	0	00.	65 (29)
S15B2P2PQAS000.	S	15	B	2	P	2	P	Q	A	S	0	00.	53 (24)
S15B2K2KQAS000.	S	15	B	2	K	2	K	Q	A	S	0	00.	65 (29)
S15B2P3PQAV000.	S	15	B	2	P	3	P	Q	A	V	0	00.	58 (26)
S15B2K3KQAV000.	S	15	B	2	K	3	K	Q	A	V	0	00.	77 (35)
S15B2P4PQAV000.	S	15	B	2	P	4	P	Q	A	V	0	00.	58 (26)
S15B2K4KQAV000.	S	15	B	2	K	4	K	Q	A	V	0	00.	77 (35)

Pump Brand

S= SandPIPER II®

Pump Size

15=1½"

Check Valve Type

B= Ball

Design Level

2= Design Level

Wetted Material

K= PVDF

P= Polypropylene

Diaphragm Check Valve Materials

1= Santoprene/Santoprene

2= PTFE-Santoprene Backup/PTFE

3= PTFE Pumping, PTFE-Santoprene Backup Driver/PTFE

4= Santoprene Pumping, Santoprene Driver/Santoprene

Check Valve Seat

K= PVDF

N= Nylon

P= Polypropylene

Non-Wetted Material Options

A= Painted Aluminum

J= Painted Aluminum PTFE

Q= Epoxy Coated Aluminum

K= PTFE Coated Aluminum

L= PTFE Coated Aluminum with PTFE Coated Hardware

R= Epoxy Coated Aluminum with PTFE Coated Hardware

Porting Options

A= ANSI Flange

D= DIN Flange

7= Dual Porting (ANSI)

8= Top Dual Porting (ANSI)

9= Bottom Dual Porting (ANSI)

Pump Style

D= RuppGUARD™ with Electronic Leak Detection (110V)

E= RuppGUARD™ with Electronic Leak Detection (220V)

M= RuppGUARD™ with Mechanical Leak Detection

S= Standard

V= RuppGUARD™ with Visual Leak Detection

Pump Options

0= None

2= Mesh Muffler

3= High temperature Air Valve w/Encapsulated Muffler

4= High temperature Air Valve w/3M Muffler

5= High temperature Air Valve w/Mesh Muffler

Kit Options

00.=None

P0.=0-30VDC Pulse Output Kit

P1.=Intrinsically-Safe 10-30VDC Pulse Output Kit

P2.=110/120 or 220/240VAC Pulse Output Kit

P3.=Intrinsically-Safe 110/120VAC Pulse Output Kit

P4.=Intrinsically-Safe 220/240VAC Pulse Output Kit

SP.=Stroke Indicator Pins

CAUTION! Operating temperature limitations are as follows:

Materials	Operating Temperatures		
	Maximum*	Minimum*	Optimum**
Santoprene® Injection molded thermoplastic elastomer with no fabric layer. Long mechanical flex life. Excellent abrasion resistance.	212°F 100°C	-10°F -23°C	50°F to 212°F 10°C to 100°C
Virgin PTFE Chemically inert, virtually impervious. Very few chemicals are known to react chemically with PTFE: molten alkali metals, turbulent liquid or gaseous fluorine and a few fluoro-chemicals such as chlorine trifluoride or oxygen difluoride which readily liberate free fluorine at elevated temperatures.	212°F 100°C	-35°F -37°C	50°F to 212°F 10°C to 100°C
PVDF	200°F -93°C	-10°F -13°C	
Polypropylene	150°F 65°C	-40°F 5°C	
Polyurethane	210°F 99°C	-40°F -40°C	-40°F to 210°F -40°C to 99°C

For specific applications, always consult "Chemical Resistance Chart" Technical Bulletin

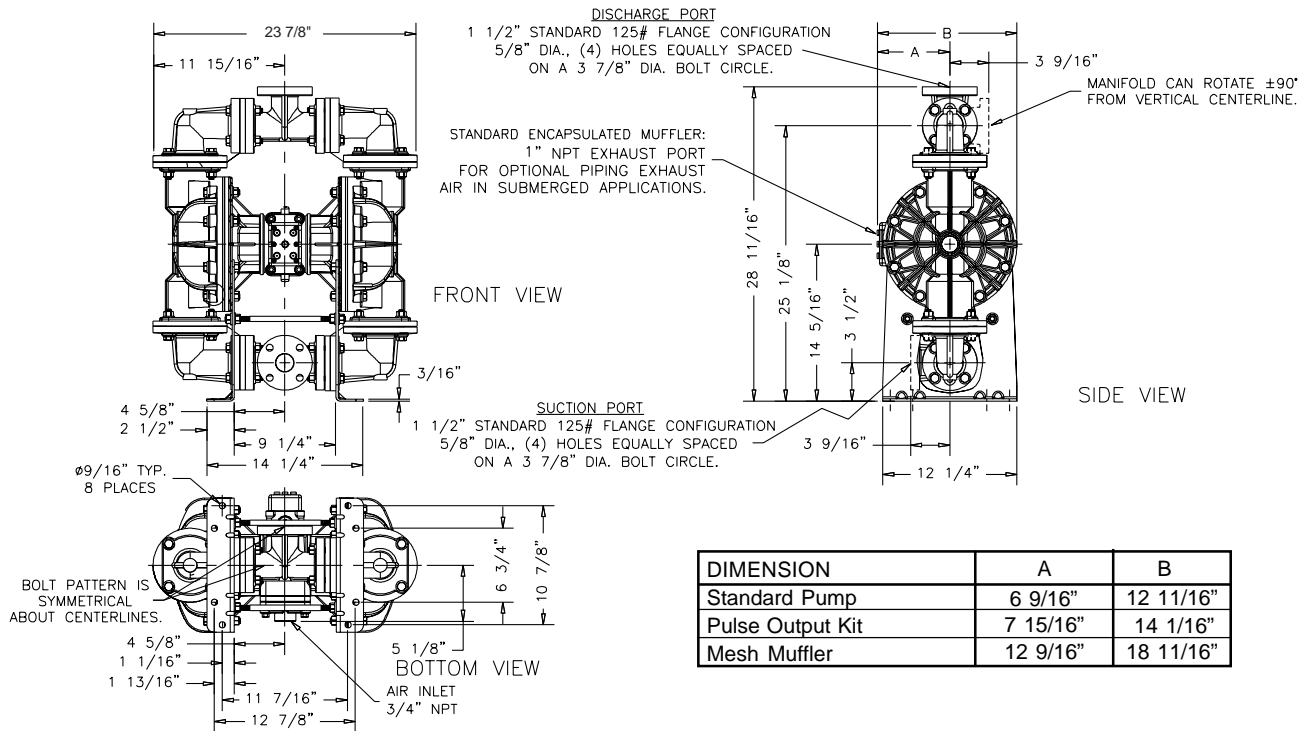
*Definite reduction in service life.

**Minimal reduction in service life at ends of range.

Dimensions: S15 Non-Metallic

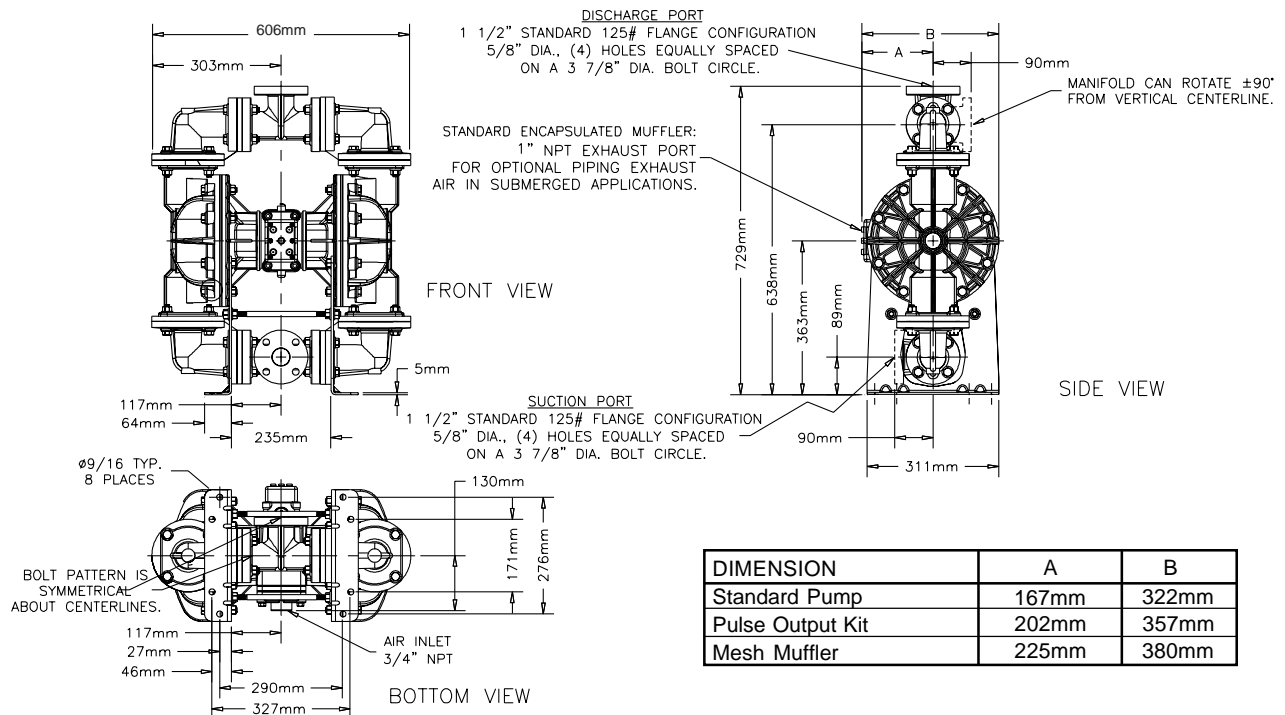
Dimensions in Inches

Dimensional Tolerance: $\pm 1/8$ "



Dimensions in Millimeters

Dimensional Tolerance: ± 3 mm



Dimensions: S15 Non-Metallic with RuppGUARD™ Spill Prevention

